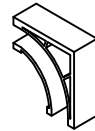
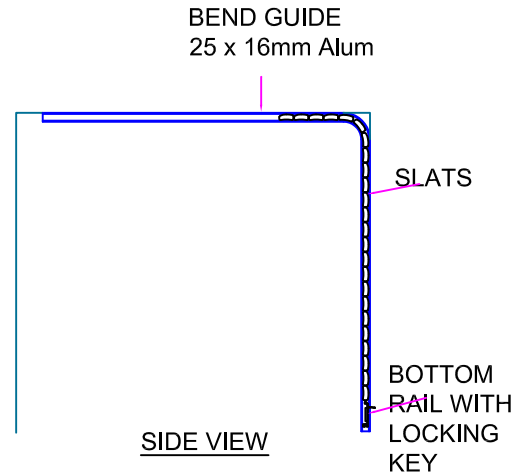
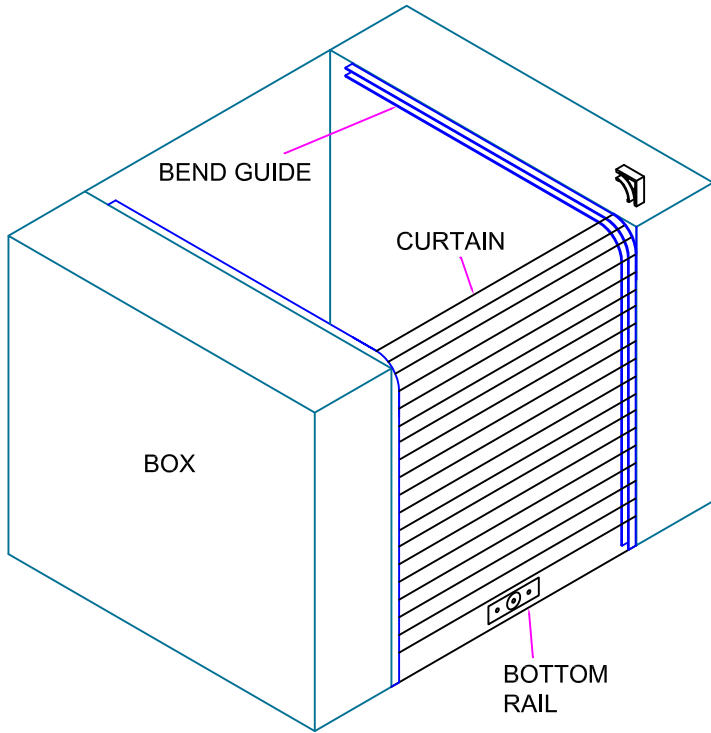
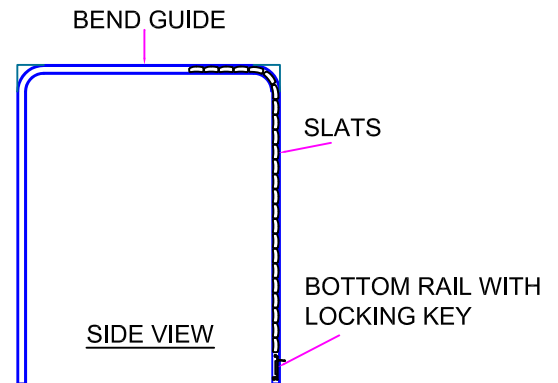
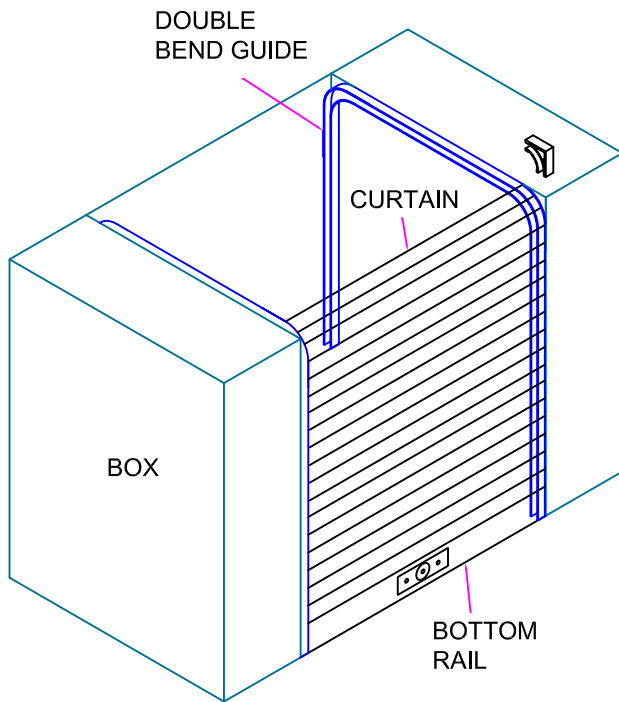


**SLIDING SINGLE BEND GUIDE**



BEND GUIDES CAN BE REPLACED BY NYLON CORNERS

**SLIDING DOUBLE BEND GUIDE**



**NOTE: OPENING SIZE UP TO 1,500mm x 1,200mm**

**1EA SLIDING SHUTTER CONFIGURATIONS**

*CONFIDENTIAL NOTE: This drawing and its designs, specifications and engineering information disclosed hereon are the property of AUSTRAL MONSOON INDUSTRIES P/L and are not to be disseminated or reproduced without express written consent. The drawing is loaned in confidence and then only for consideration of the matter disclosed hereon. In accepting loan of this drawing, the recipient agrees to keep it and the matter disclosed hereon in confidence and not to use nor permit their use in any way detrimental to AUSTRAL MONSOON INDUSTRIES P/L.*

SCALE

NTS

DRAWN

H.P.L.Y

DATE

07/12/10

AUSTRAL MONSOON INDUSTRIES P/L

50 Orchardleigh Street  
Yennora, NSW, 2161  
Australia

P.O. Box 294  
Fairfield, NSW, 2165  
Australia

Telephone: +612 9892 3188 Fax: +612 9892 2167

DWG No:

AMI-TS0001

PART No: