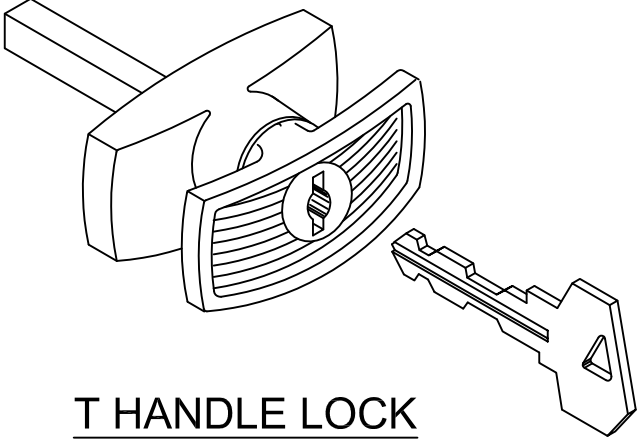
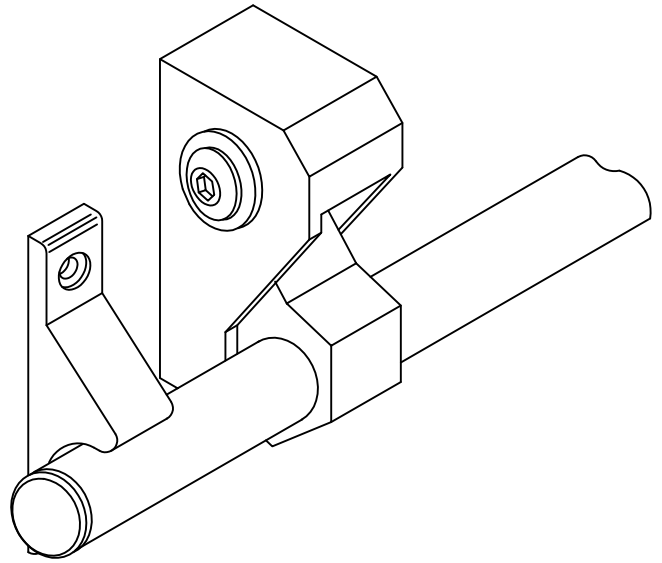


2EA BOX SHUTTER LOCKING OPTIONS

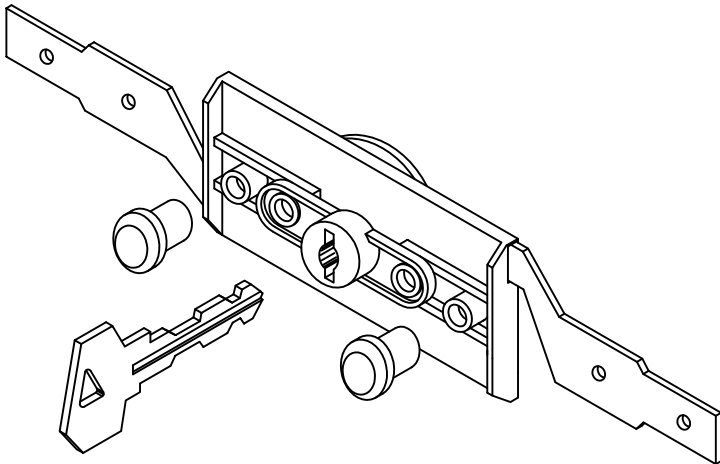
SLIDING CONFIGURATION



T HANDLE LOCK



LIFTING BAR LOCK



L & F - FLUSH LOCK

2EA BOX SLIDING LOCKING OPTIONS

CONFIDENTIAL NOTE: This drawing and its designs, specifications and engineering information disclosed hereon are the property of AUSTRAL MONSOON INDUSTRIES P/L and are not to be disseminated or reproduced without express written consent. The drawing is loaned in confidence and then only for consideration of the matter disclosed hereon. In accepting loan of this drawing, the recipient agrees to keep it and the matter disclosed hereon in confidence and not to use nor permit their use in any way detrimental to AUSTRAL MONSOON INDUSTRIES P/L.

NTS

DRAWN

H.P.LY

DATE
02/02/11

AUSTRAL MONSOON INDUSTRIES P/L

50 Orchardleigh Street
Yennora, NSW, 2161
Australia

P.O. Box 294
Fairfield, NSW, 2165
Australia

Telephone: +612 9892 3188 Fax: +612 9892 2167

CLIENT:

DWG No:
AMI-TS0003D

PART No: