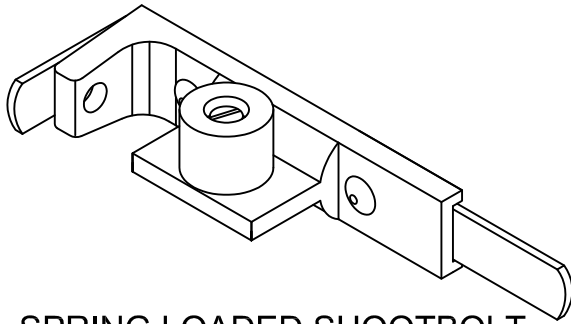
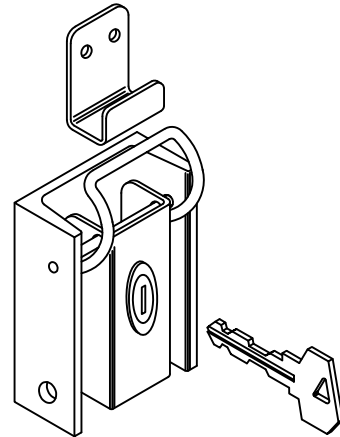


**2EA ALUMINIUM SHUTTER LOCKING OPTIONS**

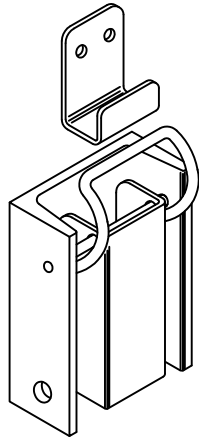
**ROLLING CONFIGURATION**



**SPRING LOADED SHOOTBOLT**



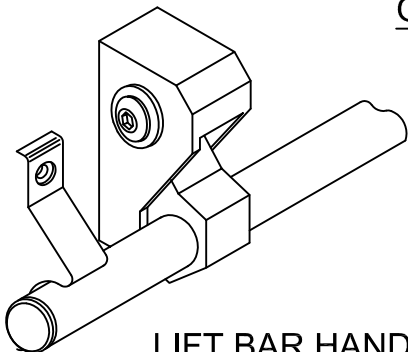
**OVERCENTRE LOCK (WITH KEY)**



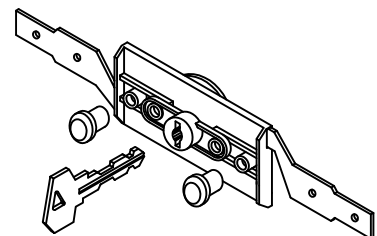
**OVERCENTRE LOCK (NO KEY)**

**LIFTING BAR HANDLE WITH**

**OPTIONAL - L & F FLUSH LOCK**



**LIFT BAR HANDLE**



**L & F - FLUSH LOCK**

**2EA ALUMINIUM ROLLING LOCKING OPTIONS**

*CONFIDENTIAL NOTE: This drawing and its designs, specifications and engineering information disclosed hereon are the property of AUSTRAL MONSOON INDUSTRIES P/L and are not to be disseminated or reproduced without express written consent. The drawing is loaned in confidence and then only for consideration of the matter disclosed hereon. In accepting loan of this drawing, the recipient agrees to keep it and the matter disclosed hereon in confidence and not to use nor permit their use in any way detrimental to AUSTRAL MONSOON INDUSTRIES P/L.*

SCALE

NTS

DRAWN

H.P.LY

DATE

02/02/11

AUSTRAL MONSOON INDUSTRIES P/L

50 Orchardleigh Street  
Yennora, NSW, 2161  
Australia

P.O. Box 294  
Fairfield, NSW, 2165  
Australia

Telephone: +612 9892 3188 Fax: +612 9892 2167

CLIENT:

DWG No:

AMI-TS0002E

PART No: