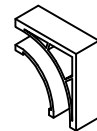
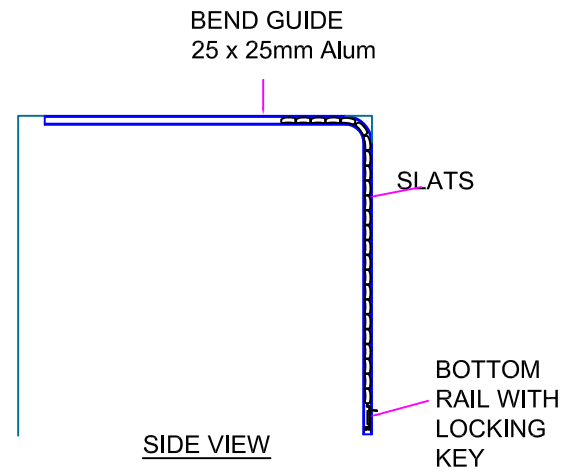
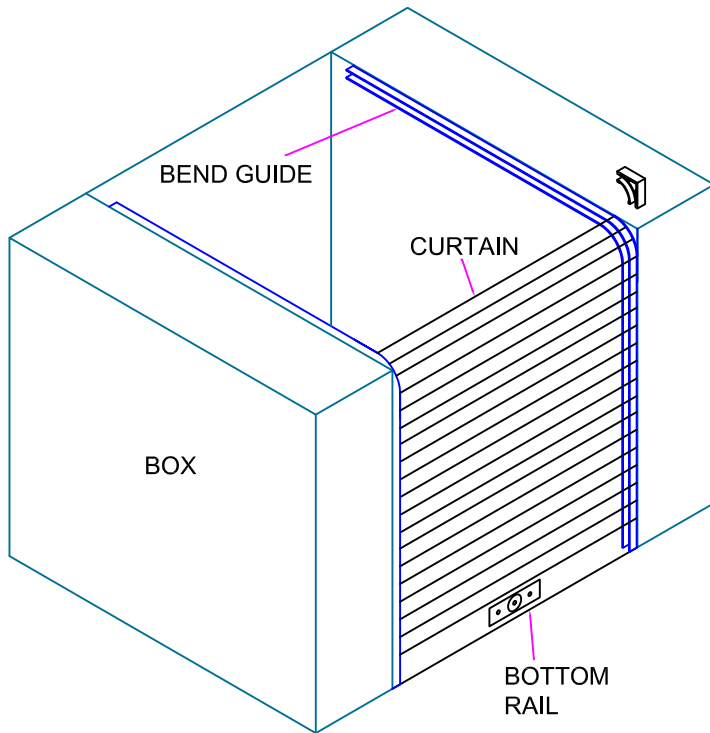
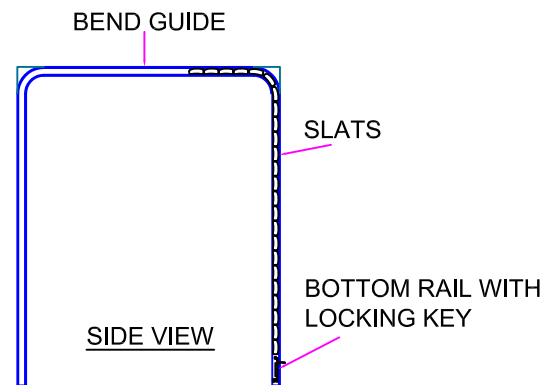
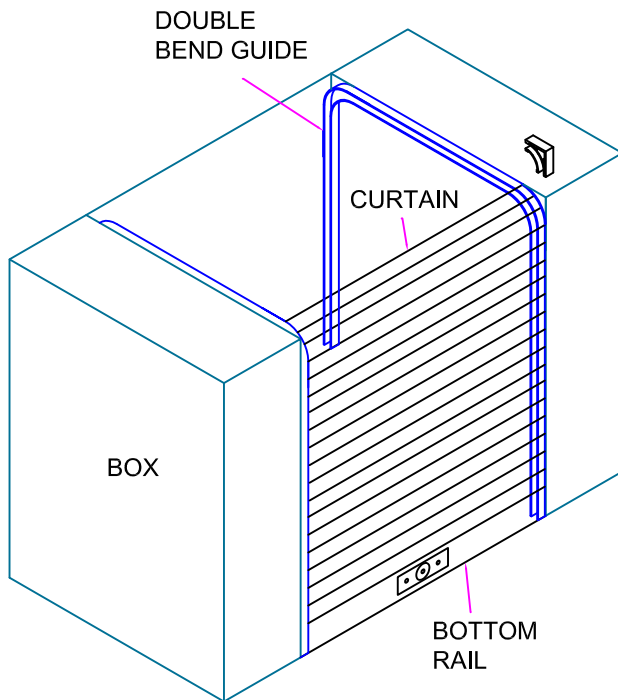


SLIDING SINGLE BEND GUIDE



BEND GUIDES CAN BE REPLACED BY NYLON CORNERS

SLIDING DOUBLE BEND GUIDE



NOTE: OPENING SIZE UP TO 1,500mm x 1,200mm

2EA SLIDING SHUTTER CONFIGURATIONS

CONFIDENTIAL NOTE: This drawing and its designs, specifications and engineering information disclosed hereon are the property of AUSTRAL MONSOON INDUSTRIES P/L and are not to be disseminated or reproduced without express written consent. The drawing is loaned in confidence and then only for consideration of the matter disclosed hereon. In accepting loan of this drawing, the recipient agrees to keep it and the matter disclosed hereon in confidence and not to use nor permit their use in any way detrimental to AUSTRAL MONSOON INDUSTRIES P/L.

SCALE

NTS

DRAWN

H.P.LY

DATE
07/12/10

AUSTRAL MONSOON INDUSTRIES P/L

50 Orchardleigh Street
Yennora, NSW, 2161
Australia

P.O. Box 294
Fairfield, NSW, 2165
Australia

Telephone: +612 9892 3188 Fax: +612 9892 2167

SPONSOR:

MONSOON INDUSTRIES P/L

DWG No:
AMI-TS0002

PART No: