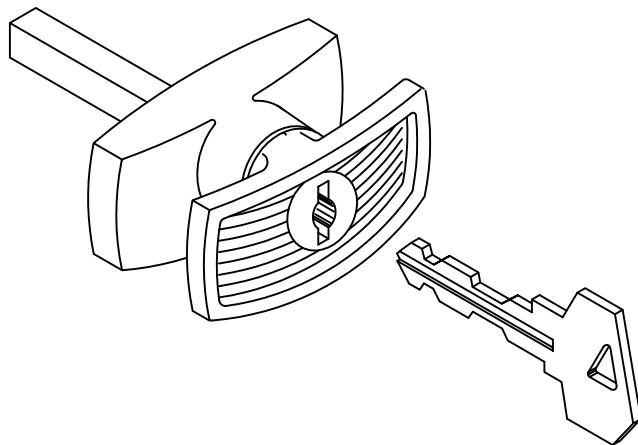


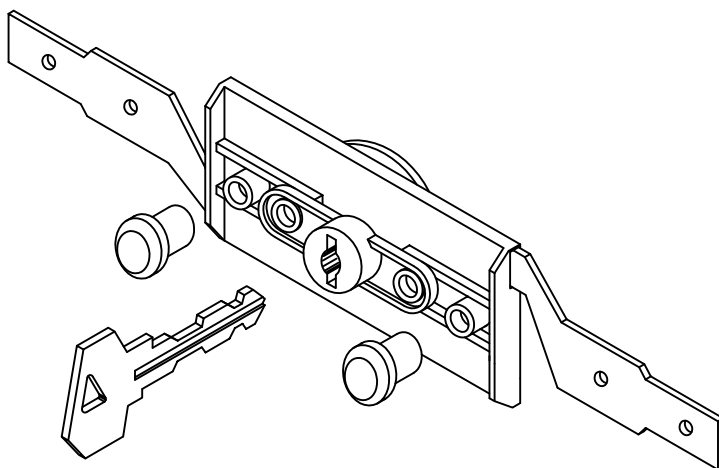
2EA ALUMINIUM SHUTTER LOCKING OPTIONS

SLIDING CONFIGURATION



T HANDLE LOCK

AVAILABLE WITH OR WITHOUT KEY



L & F - FLUSH LOCK

2EA ALUMINIUM SLIDING LOCKING OPTIONS

CONFIDENTIAL NOTE: This drawing and its designs, specifications and engineering information disclosed hereon are the property of AUSTRAL MONSOON INDUSTRIES P/L and are not to be disseminated or reproduced without express written consent. The drawing is loaned in confidence and then only for consideration of the matter disclosed hereon. In accepting loan of this drawing, the recipient agrees to keep it and the matter disclosed hereon in confidence and not to use nor permit their use in any way detrimental to AUSTRAL MONSOON INDUSTRIES P/L.

NTS	AUSTRAL MONSOON INDUSTRIES P/L	
	50 Orchardleigh Street Yennora, NSW, 2161 Australia	P.O. Box 294 Fairfield, NSW, 2165 Australia
DRAWN	Telephone: +612 9892 3188 Fax: +612 9892 2167	
H.P.LY	CLIENT:	
DATE	DWG No:	PART No:
02/02/11	AMI-TS0002D	