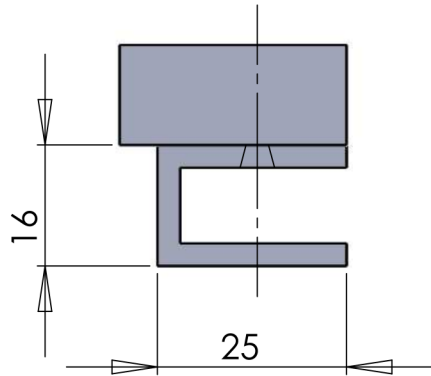
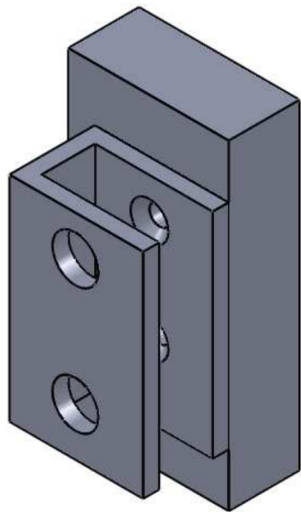
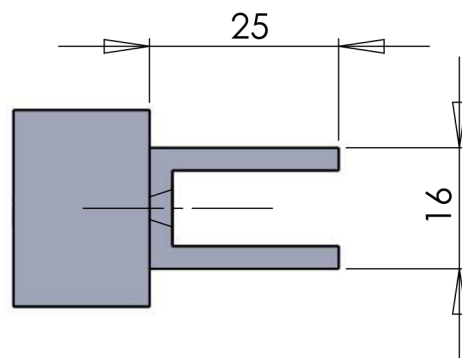
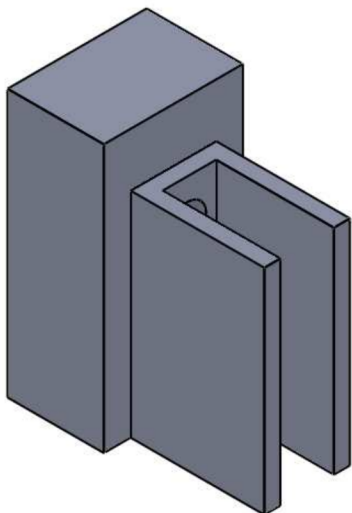


RECESSED GUIDE



FACE FIXING GUIDE



SIDE FIXING GUIDE

1EA GUIDE FIXING DETAILS

SCALE

NTS

AUSTRAL MONSOON INDUSTRIES P/L

50 Orchardleigh Street
Yennora, nsw, 2161
Australia

P.O Box 294
Fairfield, NSW, 2165
Australia

Phone: +612 9892 3188 Fax: +612 9892 2167

DRAWN

H.P.LY

DATE

21/09/10

DWG No:

AMI-AL0019C

CONFIDENTIAL NOTE: This drawing and its designs, specifications and engineering information disclosed hereon are the property of AUSTRAL MONSOON INDUSTRIES P/L and are not to be disseminated or reproduced without express written consent. The drawing is loaned in confidence and then only for consideration of the matter hereon. In accepting loan of this drawing, the recipient agrees to keep it and the matter disclosed hereon in confidence and not to use nor permit their use in any way detrimental to AUSTRAL MONSOON INDUSTRIES P/L.