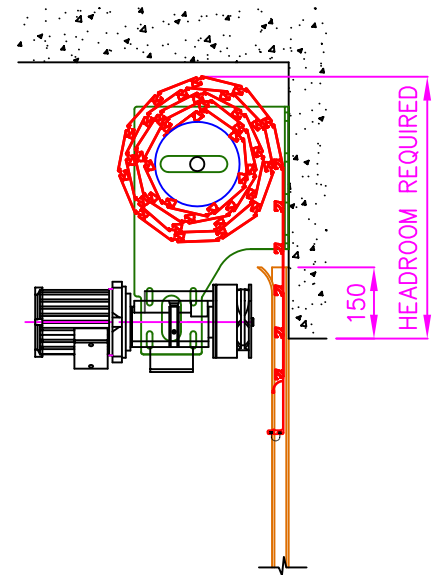
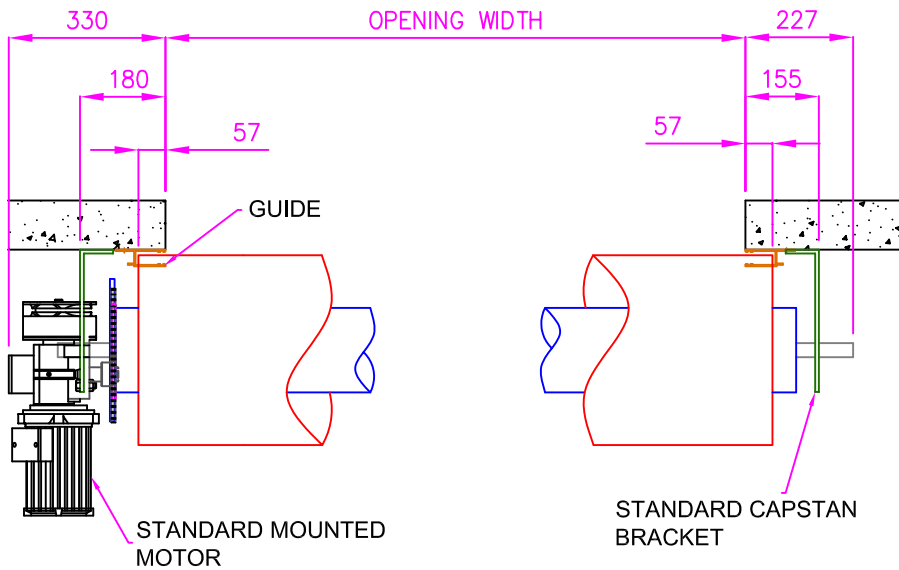


Opening Size Up To 9,800mm wide x 6,000mm high

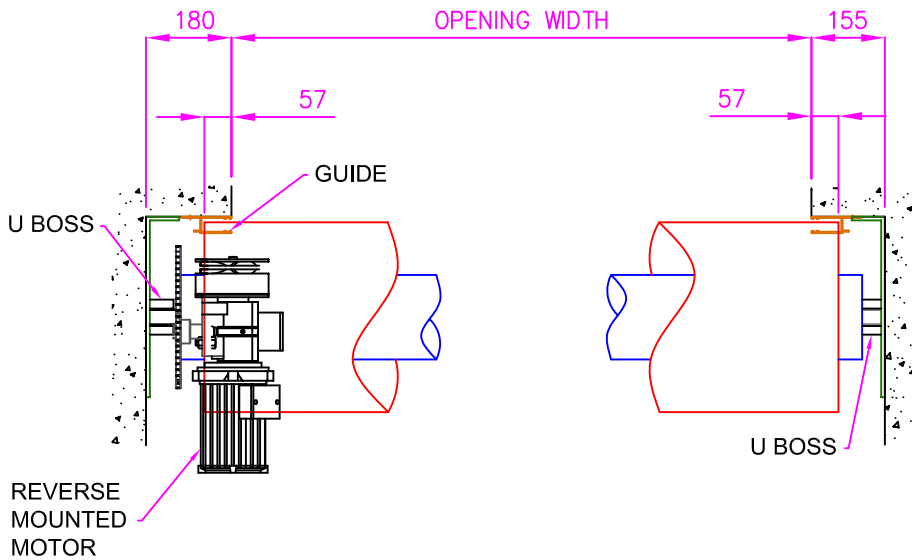
STANDARD CAPSTAN FIXINGS



HEADROOM DETAILS

SITE HEIGHT (MM)	HEADROOM REQUIRED
1500	490
1750	500
2000	530
2250	530
2500	540
2750	550
3000	580
3250	580
3500	580
3750	580
4000	620
4250	620
4500	620
4750	620
5000	620
5250	670
5500	670
5750	670
6000	670

LIMITED SIDEROOM FIXINGS



E85 - ALUMINIUM 'PANORAMA' ROLLER SHUTTER

CONFIDENTIAL NOTE: This drawing and its designs, specifications and engineering information disclosed hereon are the property of AUSTRAL MONSOON INDUSTRIES P/L and are not to be disseminated or reproduced without express written consent. The drawing is loaned in confidence and then only for consideration of the matter disclosed hereon. In accepting loan of this drawing, the recipient agrees to keep it and the matter disclosed hereon in confidence and not to use nor permit their use in any way detrimental to AUSTRAL MONSOON INDUSTRIES P/L.

SCALE

NTS

DRAWN

H.P.L.Y

DATE

10/11/10

AUSTRAL MONSOON INDUSTRIES P/L

50 Orchardleigh Street
Yennora, NSW, 2161
Australia

Telephone: +612 9892 3188 Fax: +612 9892 2167

CLIENT:

DWG No:

AMI-AL0022

P.O. Box 294
Fairfield, NSW, 2165
Australia