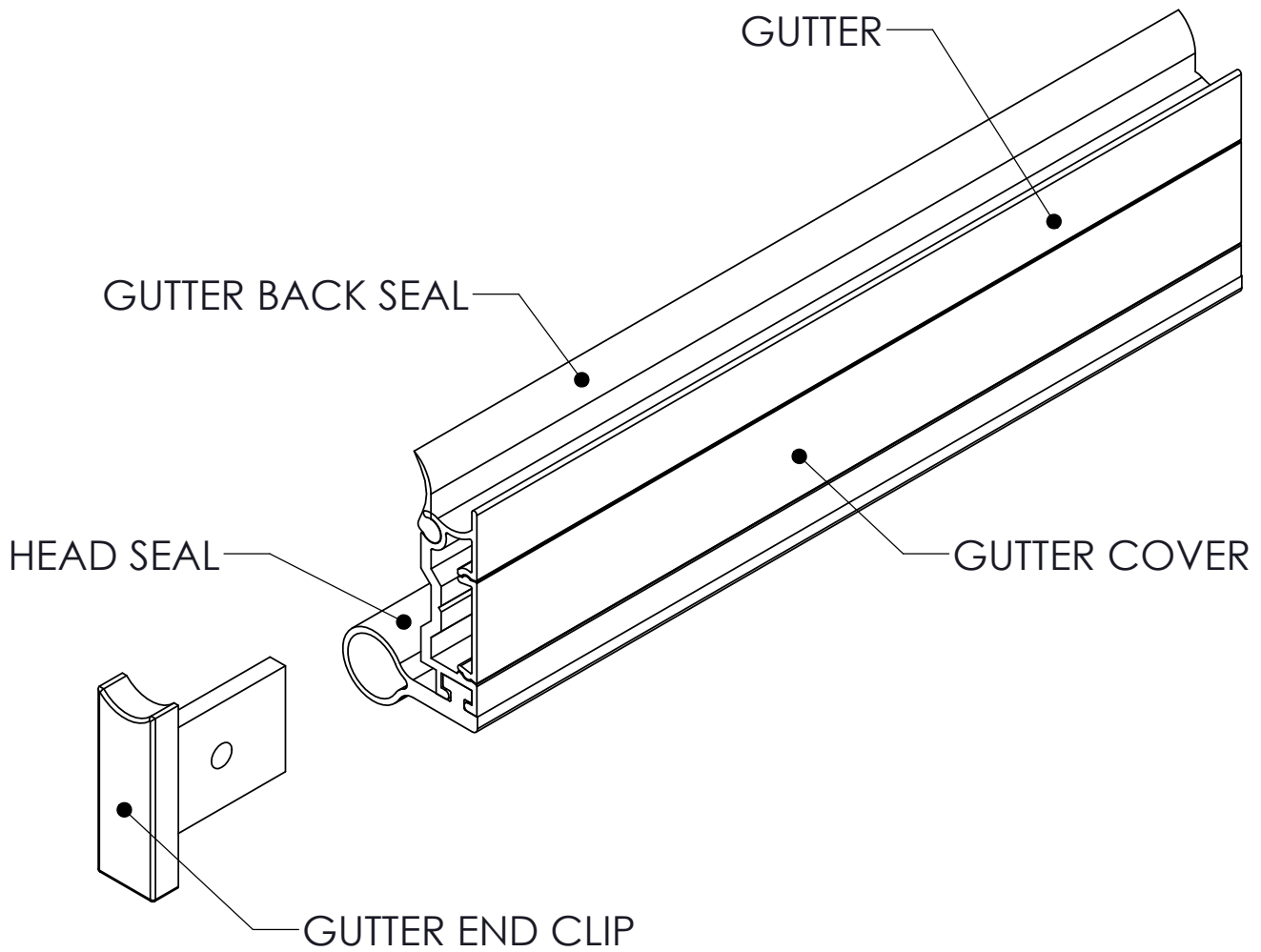


N35 - HEAD SEAL



N35 - HEAD SEAL

SCALE
NTS

MONSOON INDUSTRIES PTY LTD

50 Orchardleigh Street P.O Box 294
Yennora, nsw, 2161 Fairfield, NSW, 2165
Australia Australia

DRAWN
H.P.LY

Phone: +612 9892 3188 Fax: +612 9892 2167

DATE
13/03/13

DWG/Part No:

N35 - HEAD SEAL

CONFIDENTIAL NOTE: This drawing and its designs, specifications and engineering information disclosed hereon are the property of MONSOON INDUSTRIES PTY LTD and are not to be disseminated or reproduced without express written consent. The drawing is loaned in confidence and then only for consideration of the matter hereon. In accepting loan of this drawing, the recipient agrees to keep it and the matter disclosed hereon in confidence and not to use nor permit their use in any way detrimental to MONSOON INDUSTRIES PTY LTD.