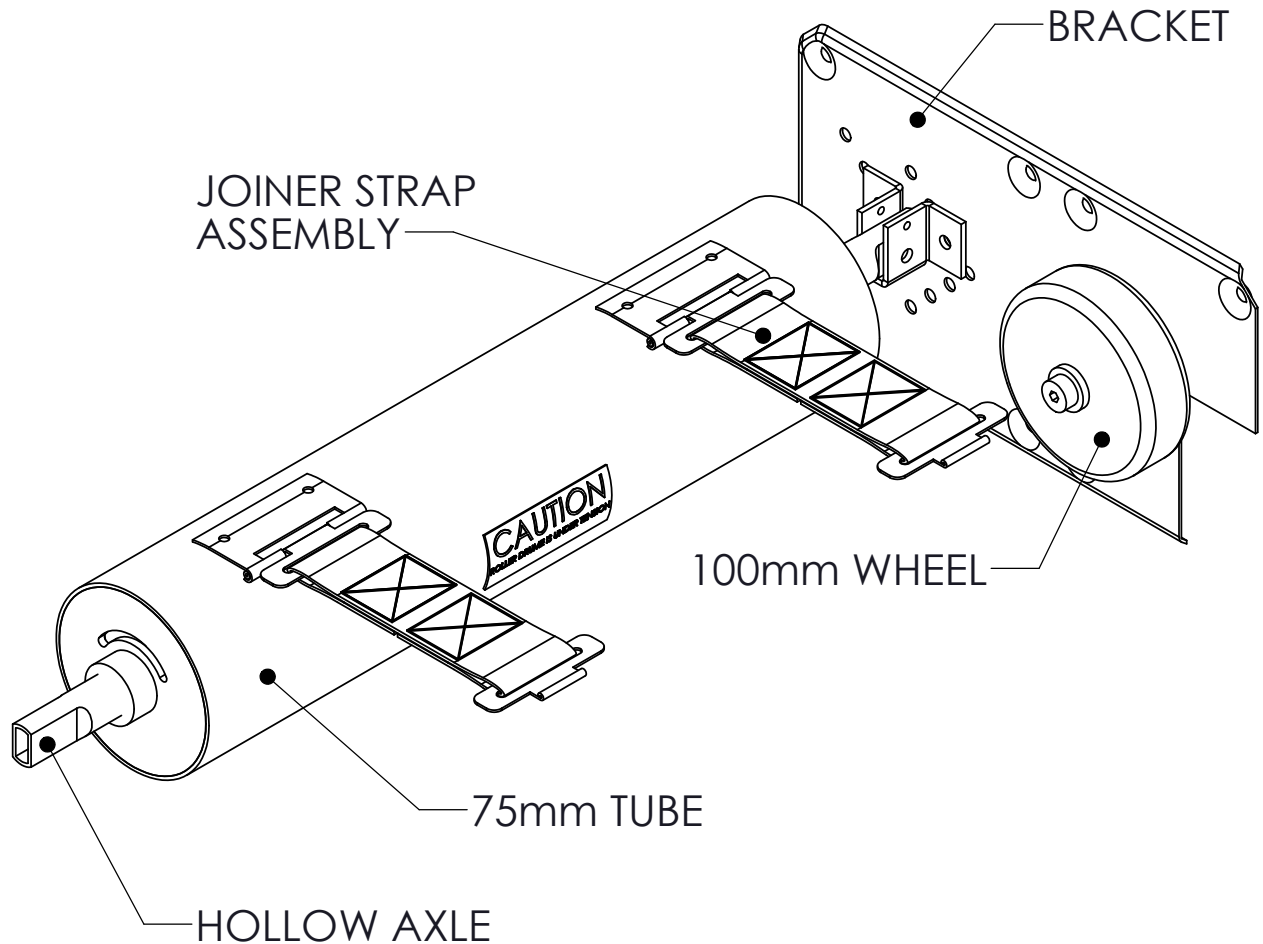


# N35 - ROLLER & BRACKETS



## N35 - ROLLER & BRACKETS

SCALE  
NTS

MONSOON INDUSTRIES PTY LTD

50 Orchardleigh Street  
Yennora, nsw, 2161  
Australia

P.O Box 294  
Fairfield, NSW, 2165  
Australia

*CONFIDENTIAL NOTE: This drawing and its designs, specifications and engineering information disclosed hereon are the property of MONSOON INDUSTRIES PTY LTD and are not to be disseminated or reproduced without express written consent. The drawing is loaned in confidence and then only for consideration of the matter hereon. In accepting loan of this drawing, the recipient agrees to keep it and the matter disclosed hereon in confidence and not to use nor permit their use in any way detrimental to MONSOON INDUSTRIES PTY LTD.*

DRAWN  
H.P.LY

Phone: +612 9892 3188 Fax: +612 9892 2167

DATE  
13/03/13

DWG/Part No:

N35 - ROLLER & BRACKETS